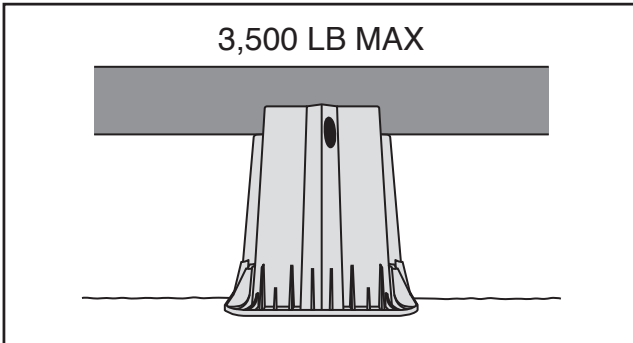




TUFFSTAND™
HEAVY DUTY PIPESTANDS

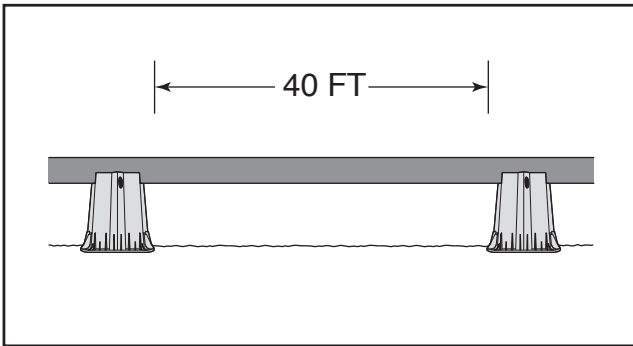
PROPER USE INSTRUCTIONS



Load Limit: 3,500 lbs

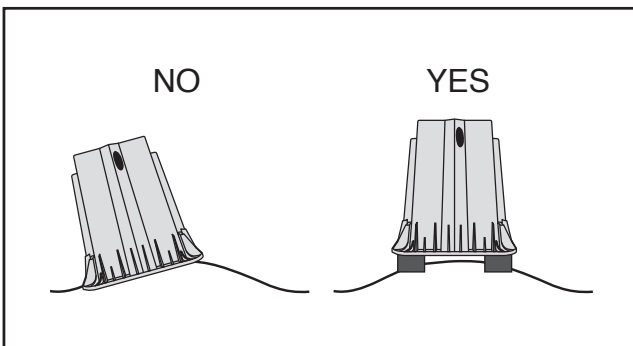
Although our 12" TuffStand was lab tested and held over 20,000 lbs, the stands should never be overloaded. There are many factors involved on the job site that cannot be replicated in a controlled testing environment.

**The 12" TuffStand product is only rated for up to 3,500 lbs*



Suggested Spacing: Up to 40 Linear Feet

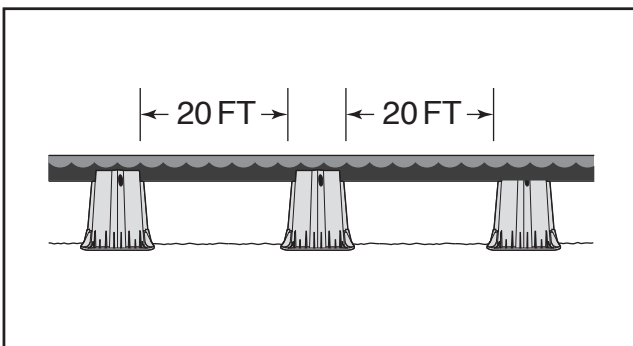
The 12" TuffStand was designed and tested to handle "quad" lengths which is +/- 80 linear feet, however we still suggest a maximum of 40' between spacings for overall safety



Use Only on Level Surfaces or Place 2 Wood Skids Underneath Pipe Stand

When working on uneven ground, the chances of the stand tipping over increases. Level the right-of-way or place the stand on 2 evenly spaced wood skids.

**Suggested: skids run perpendicular to the pipe*



Double-up TuffStands When Hydrotesting

When hydrotesting, the water adds much more weight to the product. Hydro-testing is not recommended on the stands but in the event, it needs to be done for bore sections, etc. It is necessary to utilize a 20 linear foot spacing.

1.800.288.9748 TUFF-STAND.COM

16400 Midway Rd, Addison, TX 75001 Tel. 972.735.8866 Fax. 972.735.8896 info@tuff-stand.com

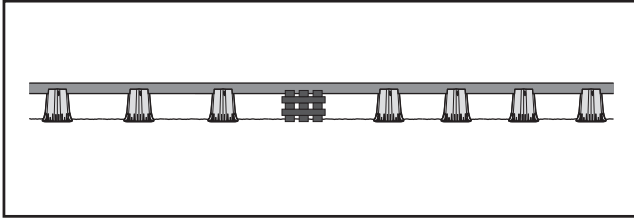


By **DURAPLAS™**



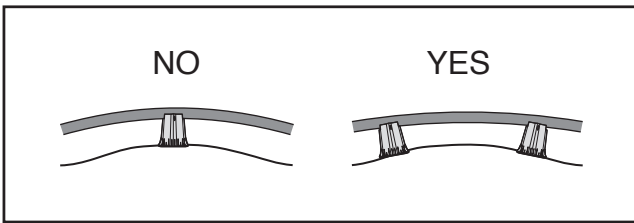
TUFFSTAND™
HEAVY DUTY PIPESTANDS

PROPER USE INSTRUCTIONS



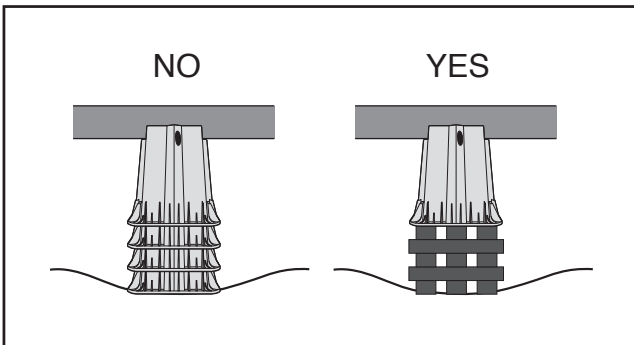
Place Skids/Crotch Every 7 to 10 TuffStands

Recommended to place a crotch every 7-10 stands to ensure the line does not tip over during handling/construction or in expansion/contraction that occurs with temperature changes.



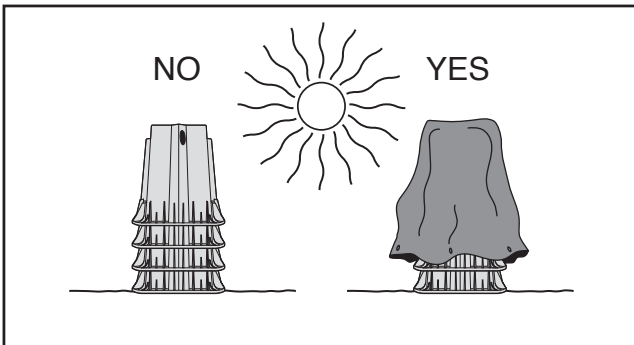
On a Hill or Overbend, Use Two (2) TuffStands

When placing a stand on top of an overbend/hill, the weight and force of the pipe is doubled. Disperse the weight by placing 2 stands on either side of the top of the hill.



Do Not Stack Tuffstands to Gain Elevation

In order to gain elevation, place a few skids underneath and/or build a flat "platform" for a single stand to sit on top. When adding the weight of the pipe to a stack of stands, the stands will nest very tightly and will be difficult to separate.



Cover/Tarp When Not in Use

Although our stands have UV protection, it is recommended to further protect the stands from sun damage which can cause the plastic to breakdown and weaken over time. To get the most out of our **TuffStands**, cover them when not in use.

Replace Product if Any Physical Defects Are Present Such as Cracking or Discoloration

These stands are designed to absorb the weight of the pipe and give under an extreme load rather than crack. After the weight is removed, the pipe stand should regain its normal shape. Stands should be replaced if there is visible discoloration or cracking.

***** IMPORTANT: Failure to follow these instructions can result in serious injuries or damages to the TuffStands.**

1.800.288.9748 TUFF-STAND.COM

16400 Midway Rd, Addison, TX 75001 Tel. 972.735.8866 Fax. 972.735.8896 info@tuff-stand.com



By **DURAPLAS™**